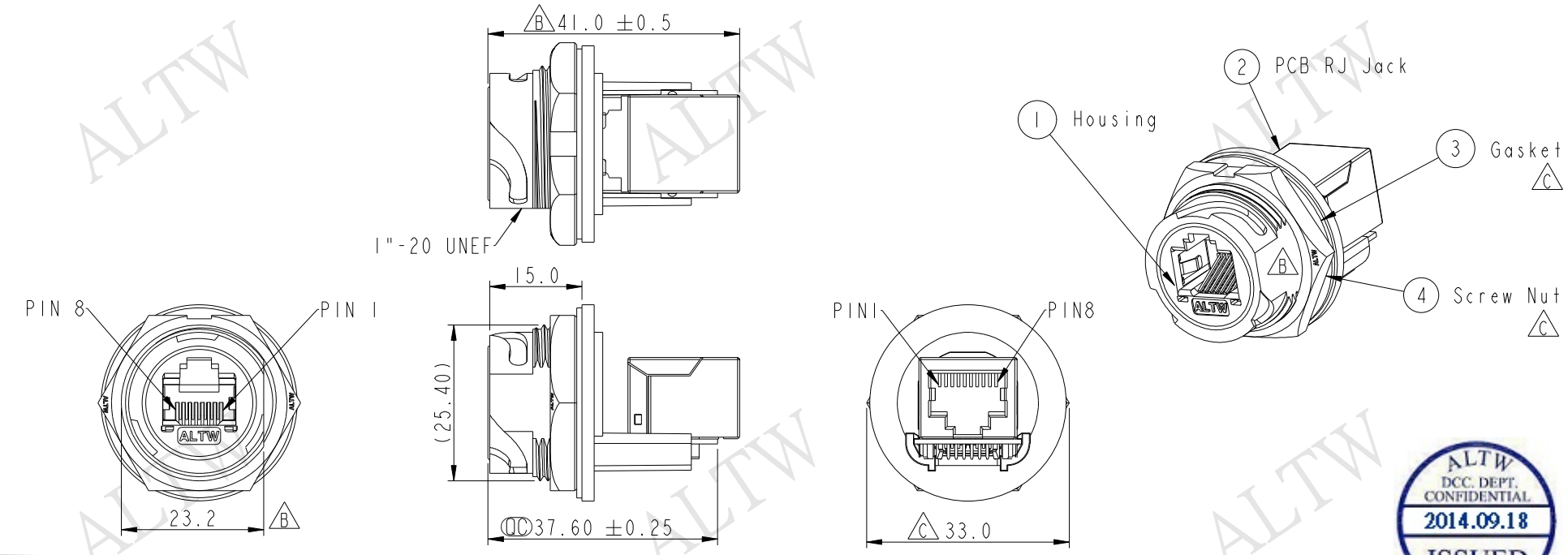
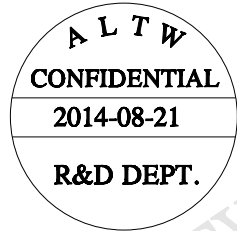
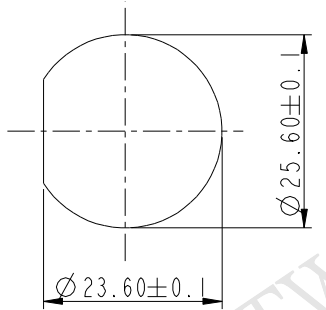


REV.	ECN NO.	DATE	SIGN	DESCRIPTION
B	LENI450027	2014-04-29	Tom_gu	Change D Cut
C	LE31490103	2014-08-21	Feng_Li	Change Nut and Gasket



- Note:
- * \varnothing Important Dimension
 - * Waterproof Rate : IP67
 - * Housing : Nylon+GF, BLACK
 - * Screw Nut : Nylon+GF, BLACK
 - * Gasket : Silicone, Gray.
 - * PCB: FR-4
 - * Jack : PBT Polyester, Black
 - * Panel Thickness Max: 3.0mm
 - * Screw torsion value range: 8~15kgf-cm



UNIT : mm		TITLE		ITEM NO	DRAWN BY	DATE
		RJ45,D SIZE, MATED WP		RDP-5SPFFH-TCM7001	Feng_Li	2014-08-21
TOLERANCE		SCALE	SIZE	DWG NO	CHECKED BY	DATE
.X ±0.25		1:1	A4	RDP-5SPFFH-TCM7001	Tom	2014-08-21
.XX ±0.1		REV.	WC-REV.	CUSTOMER	APPROVED BY	DATE
.XXX ±0.05		C	A.6	ALTW	Victor	2014-08-21
ANGLES ±1°		\varnothing : Inspection item				

Amphenol LTW
安費諾亮泰企業股份有限公司

THIS DOCUMENT IS SUBJECT TO CHANGE WITHOUT NOTICE. IT IS CONFIDENTIAL AND A PROPERTY OF AMPHENOL LTW. DISCLOSURE TO THIRD PARTY HAS TO BE AUTHORIZED BY AMPHENOL LTW.